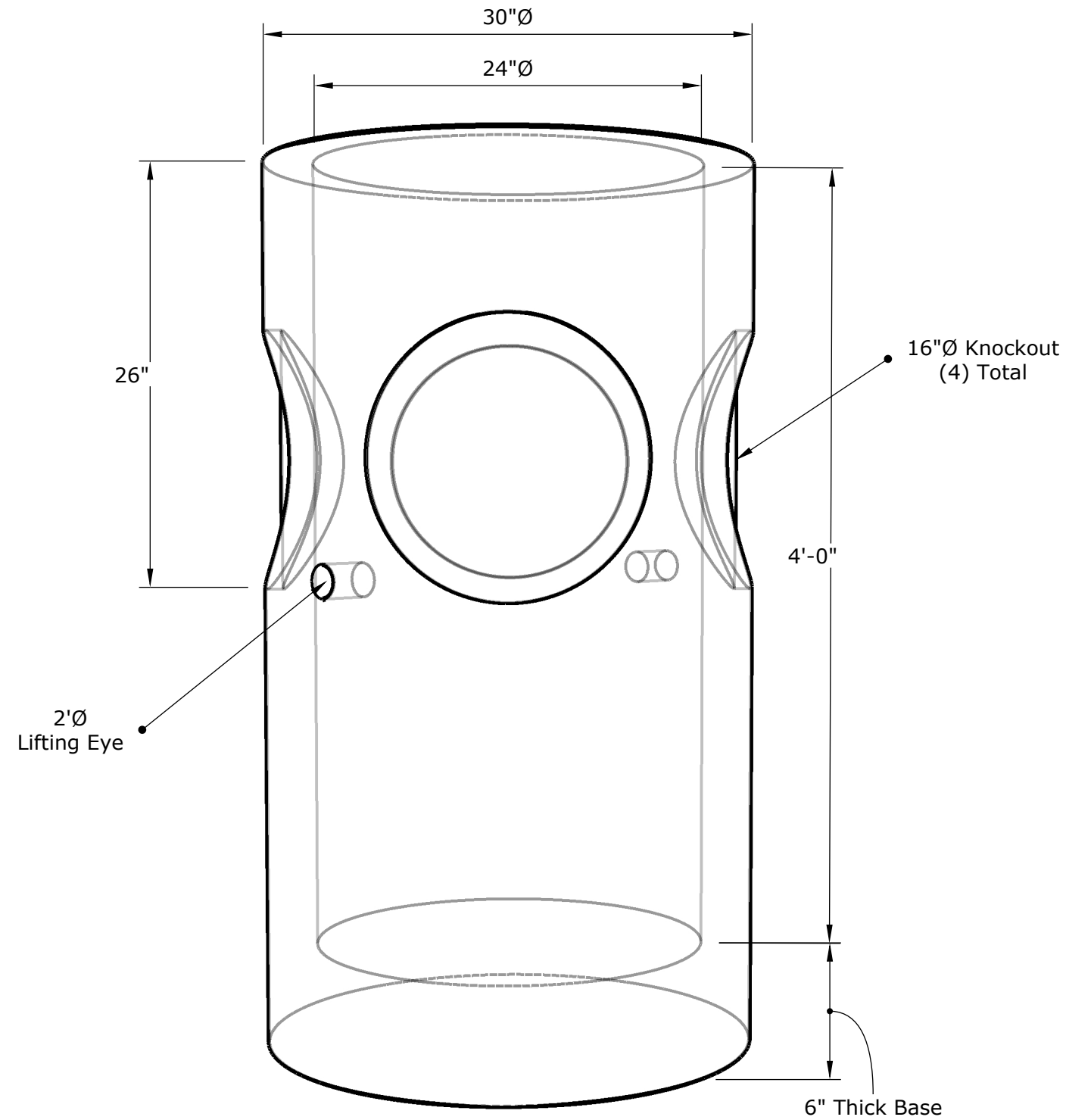


# 24"Ø Catch Basin



M-1 Tanks Precast  
13058 N Frontage Rd E  
Moses Lake Wa  
98837  
509-766-2914



**SIDE VIEW**

**Notes:**

- Concrete Strength - 5000 PSI min. at 28day
- Shall meet or exceed ASTM C-478

**Details:**

- 3" thick walls, 6" thick base
- Knockouts shall be 2" thick, 16"Ø
- Weight 1320 lbs

